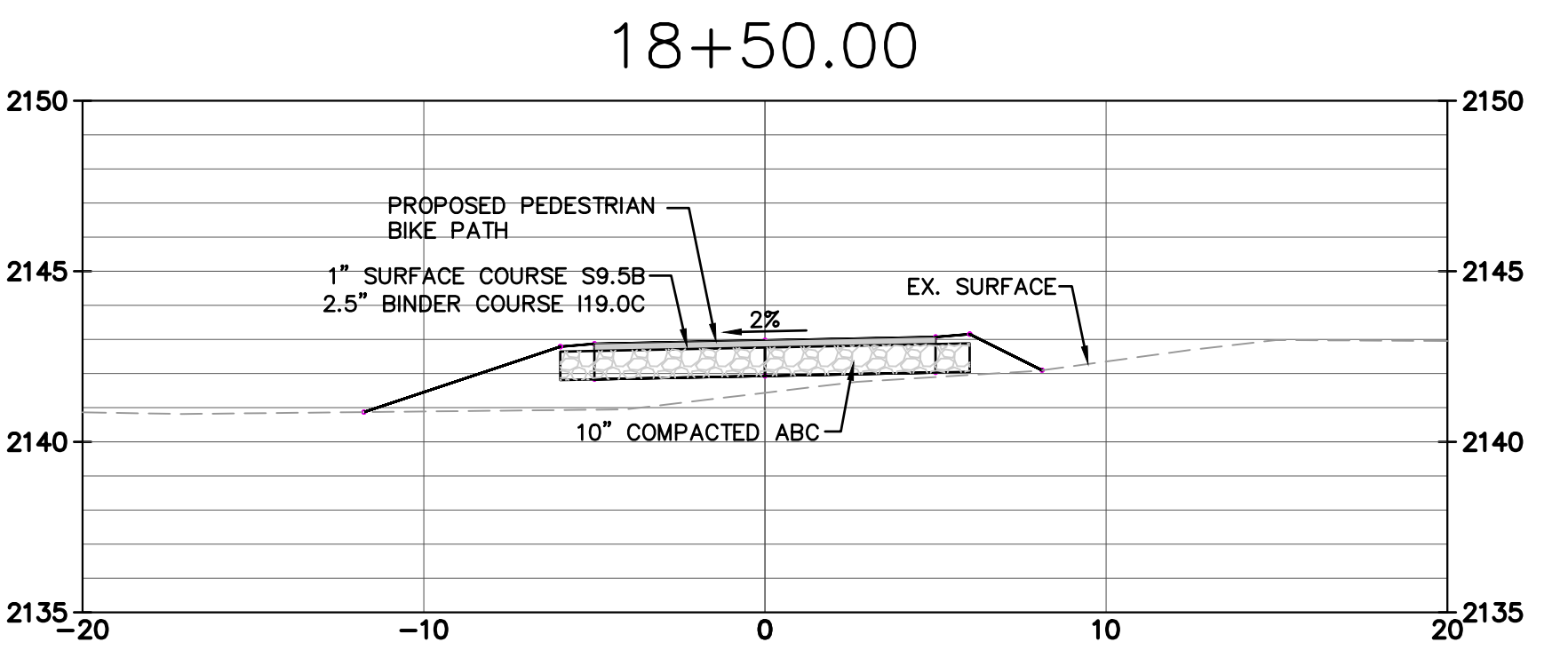
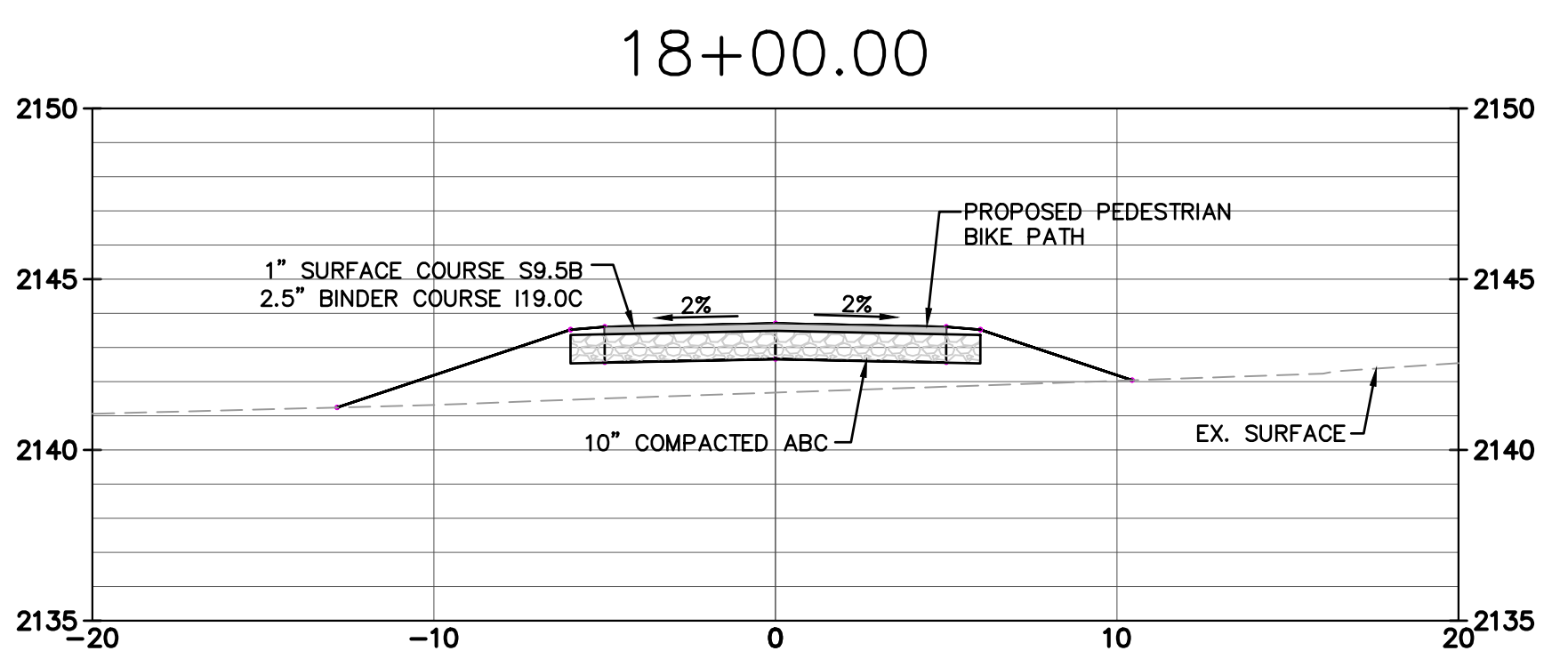
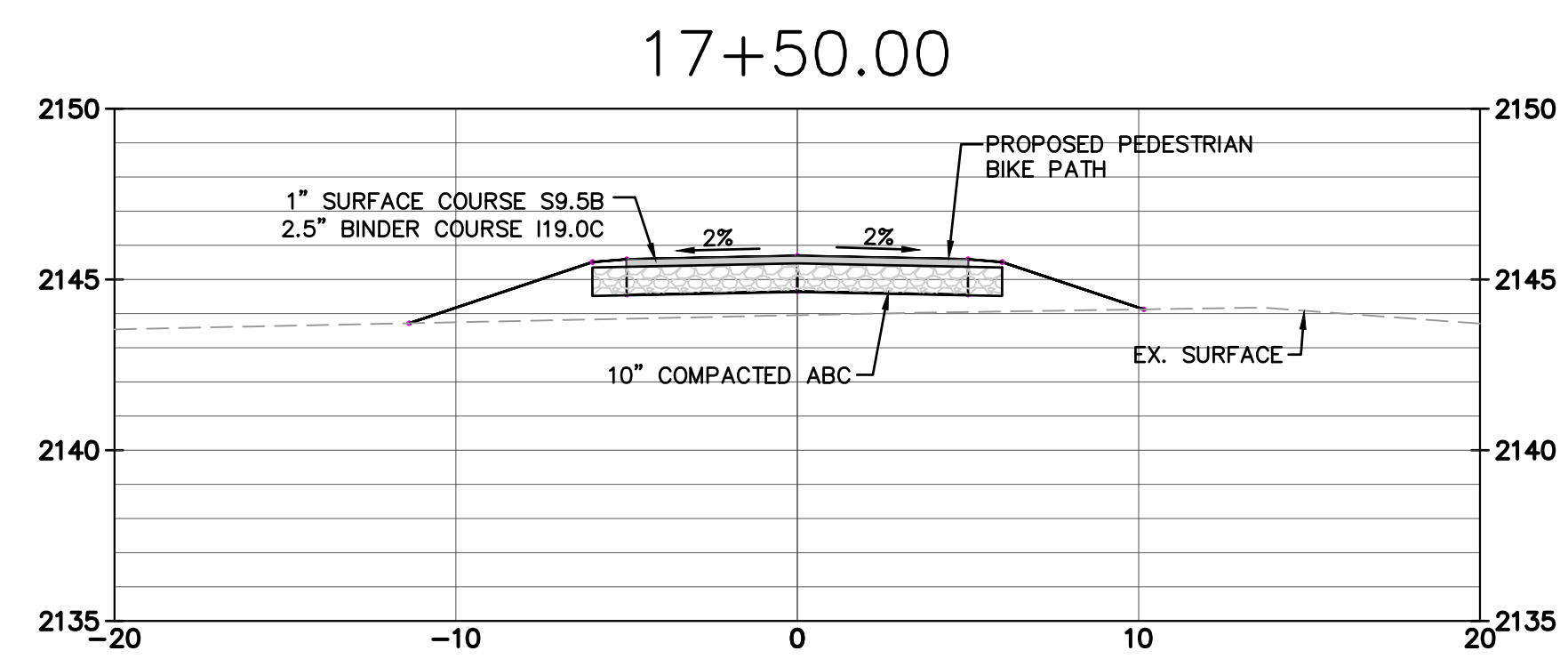
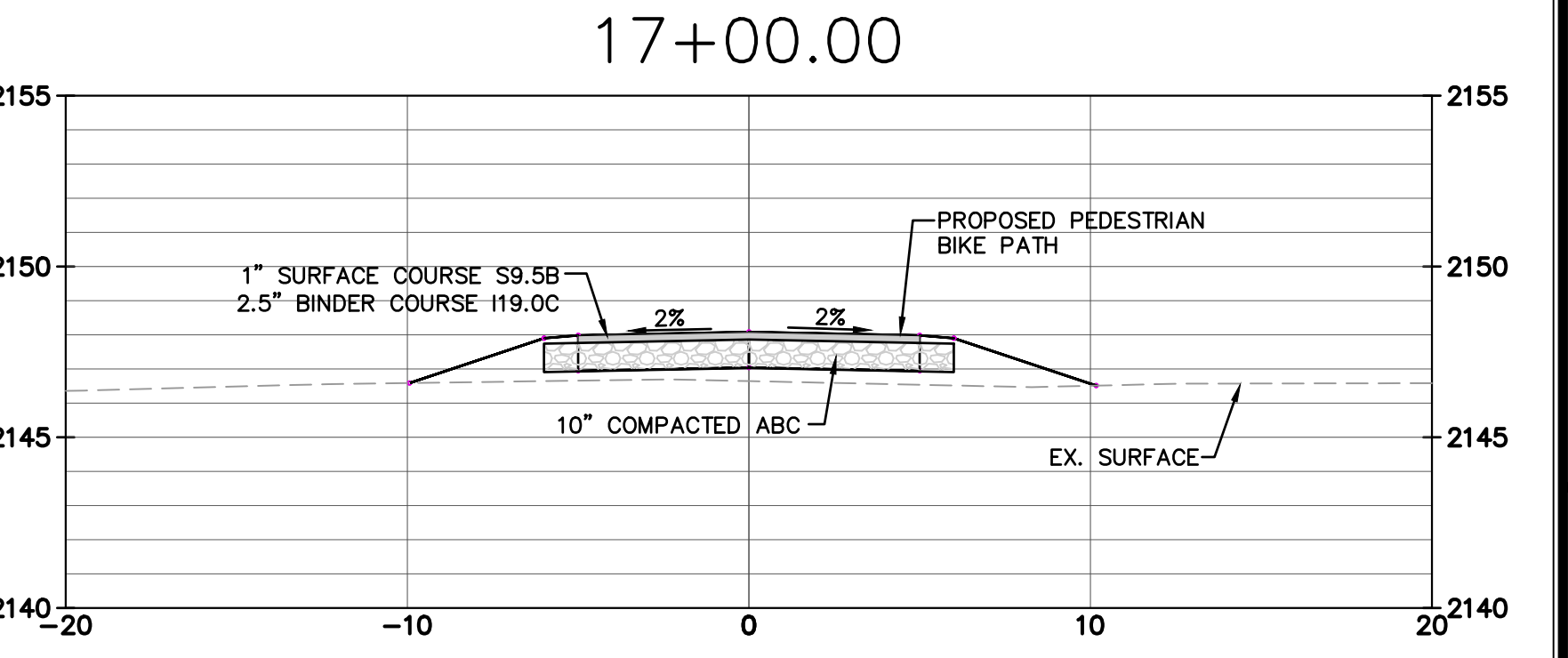
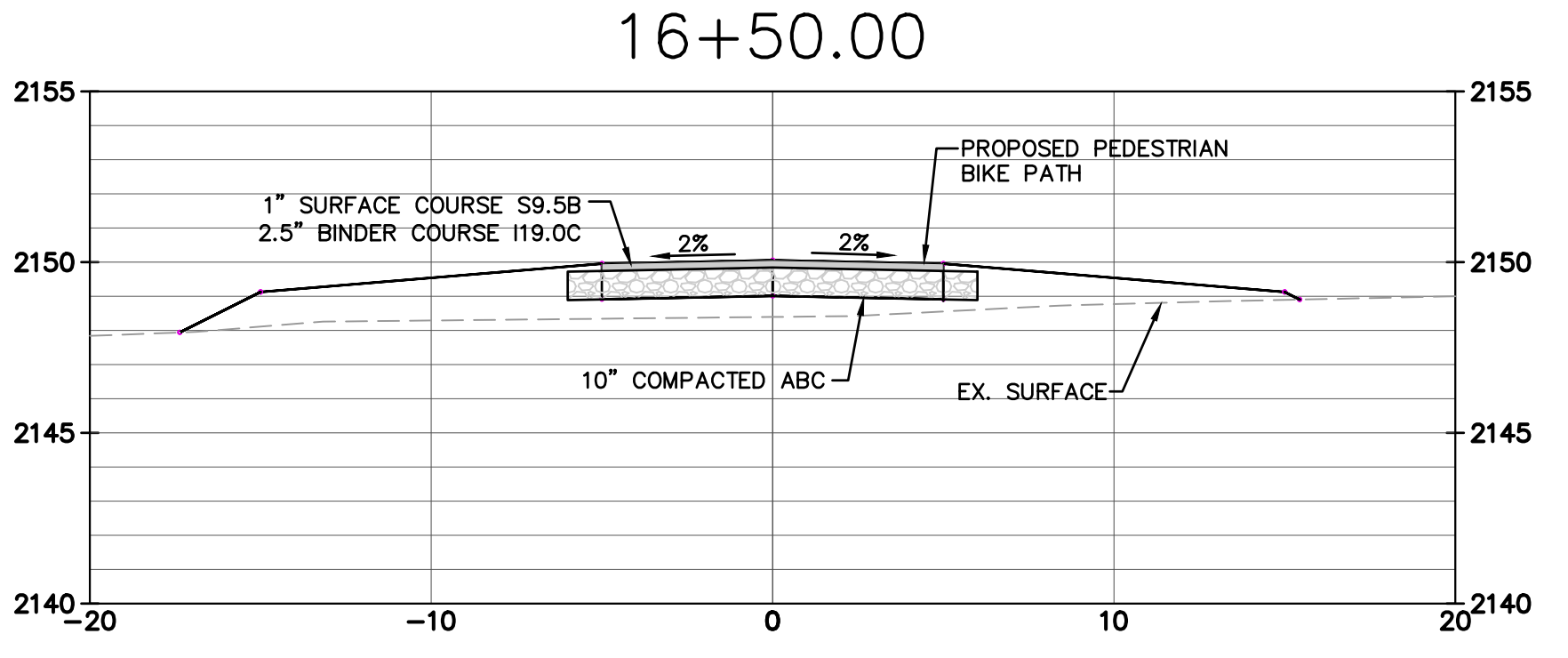
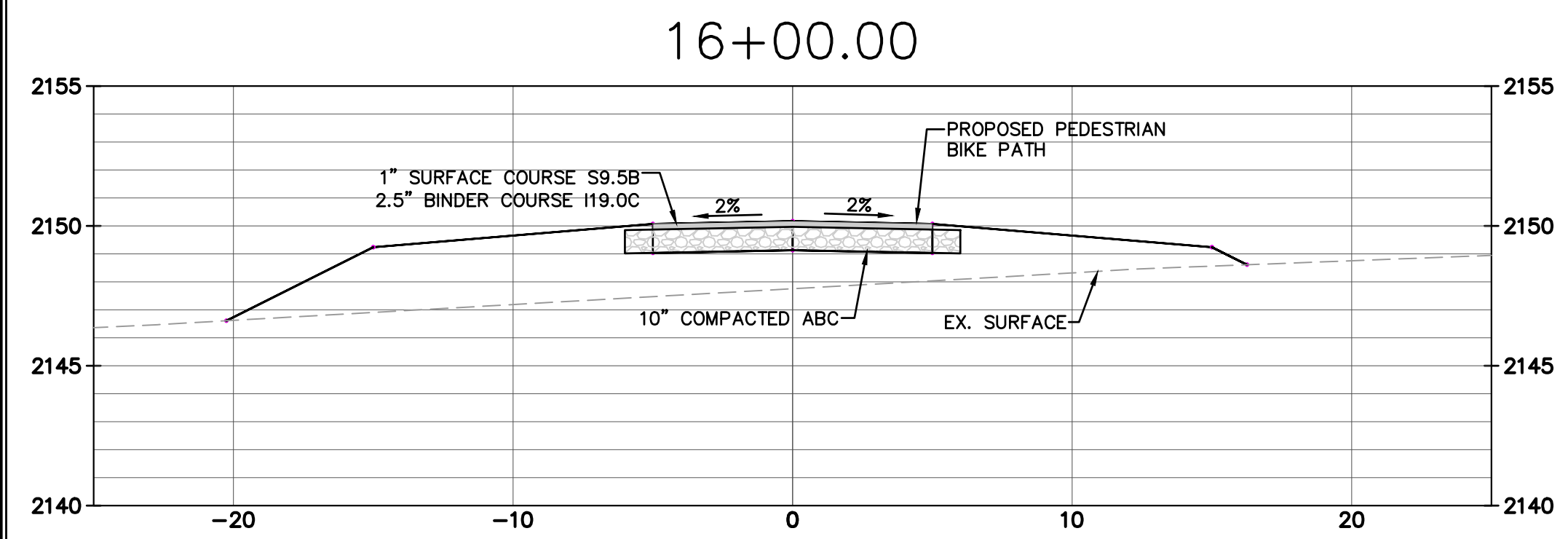
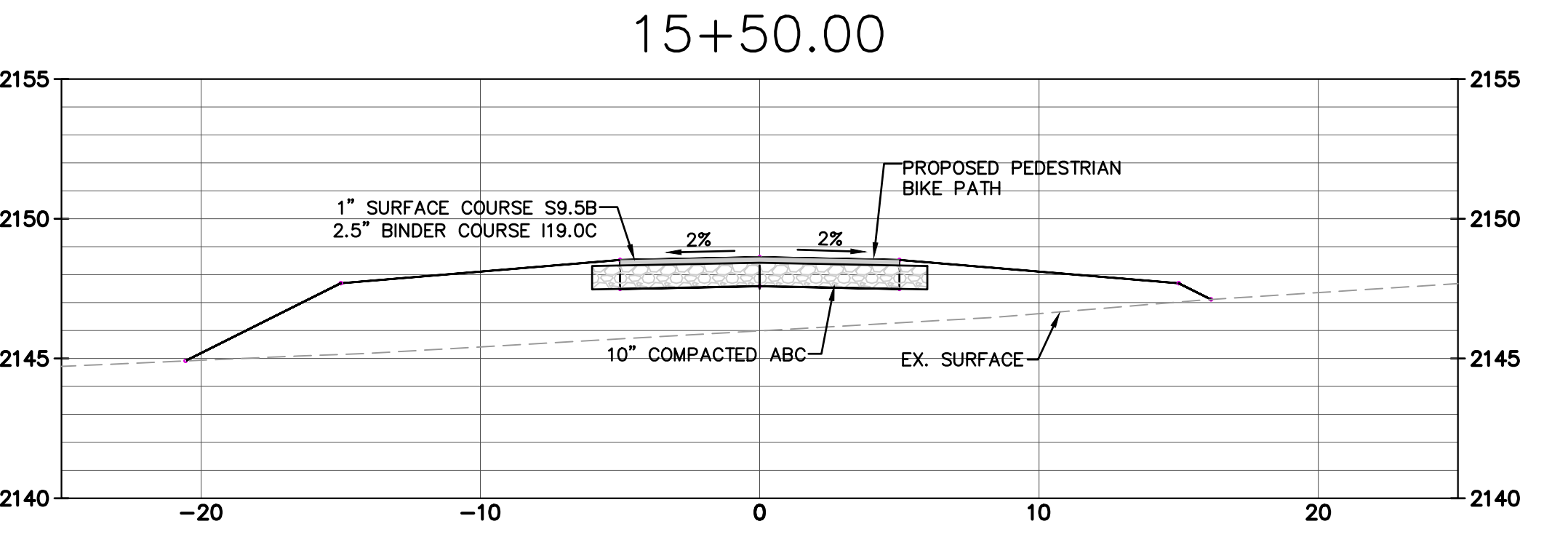
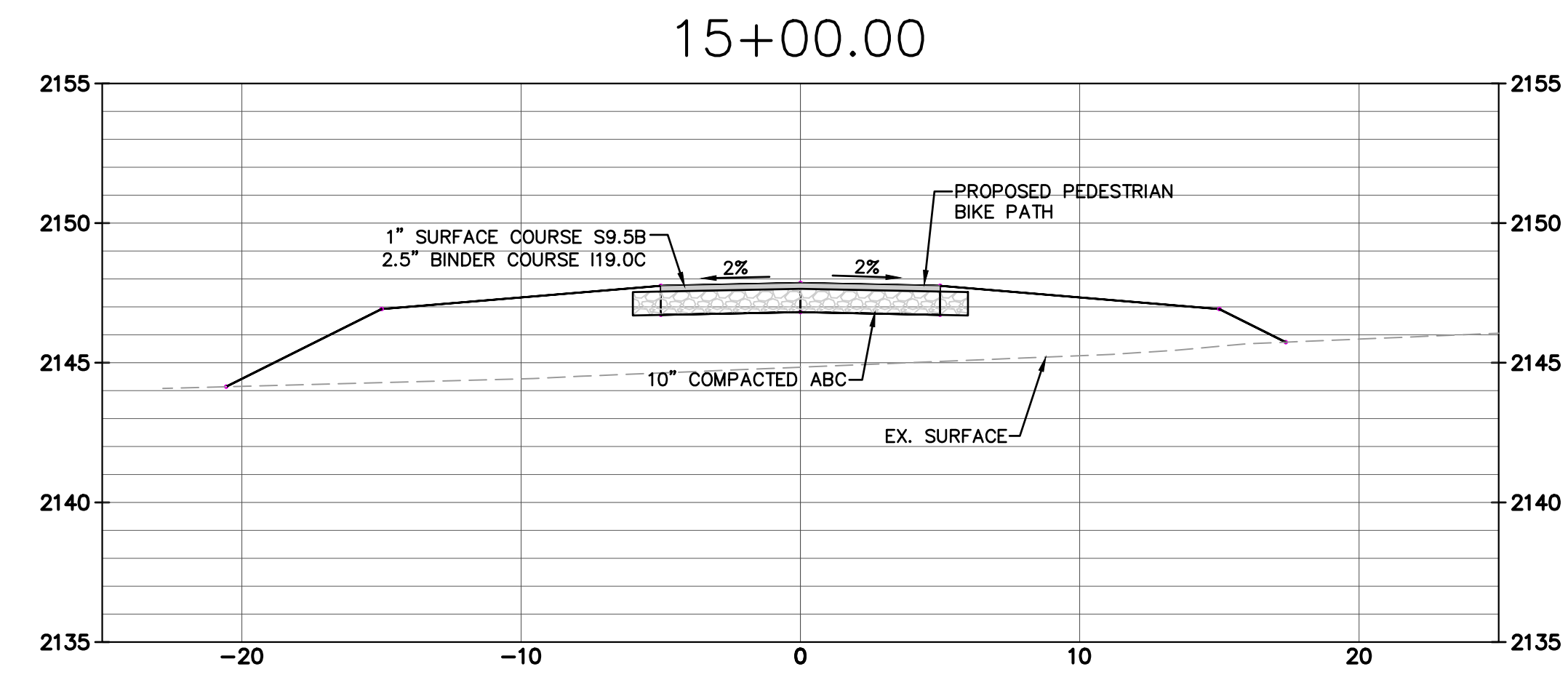
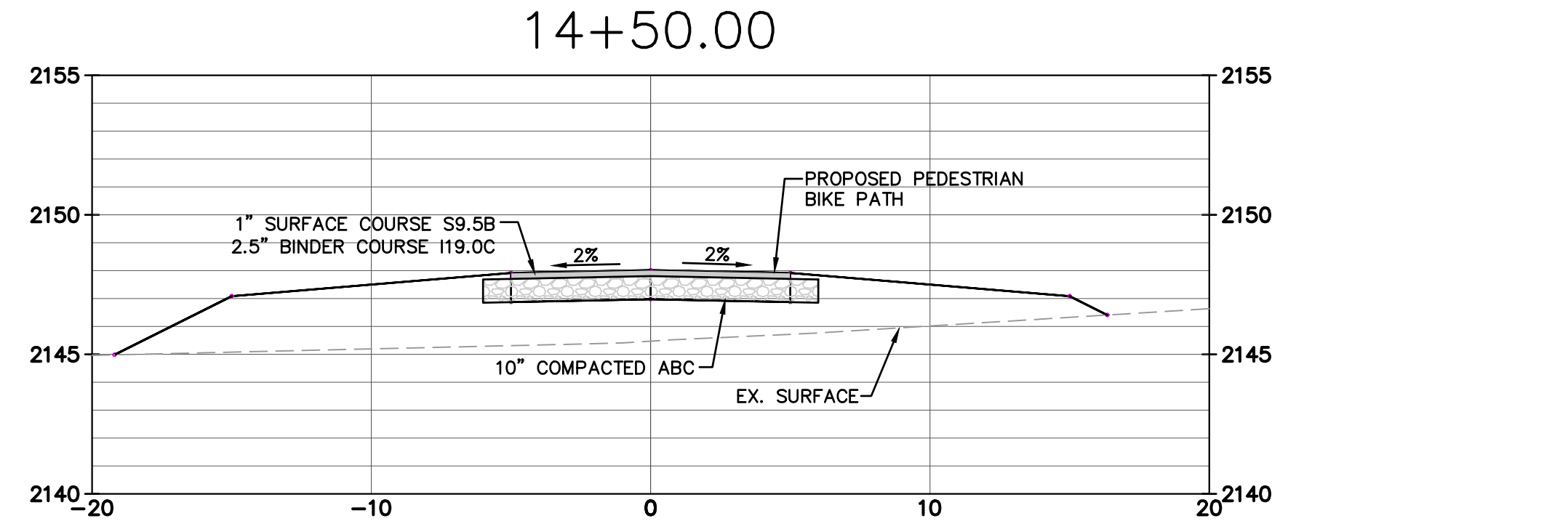
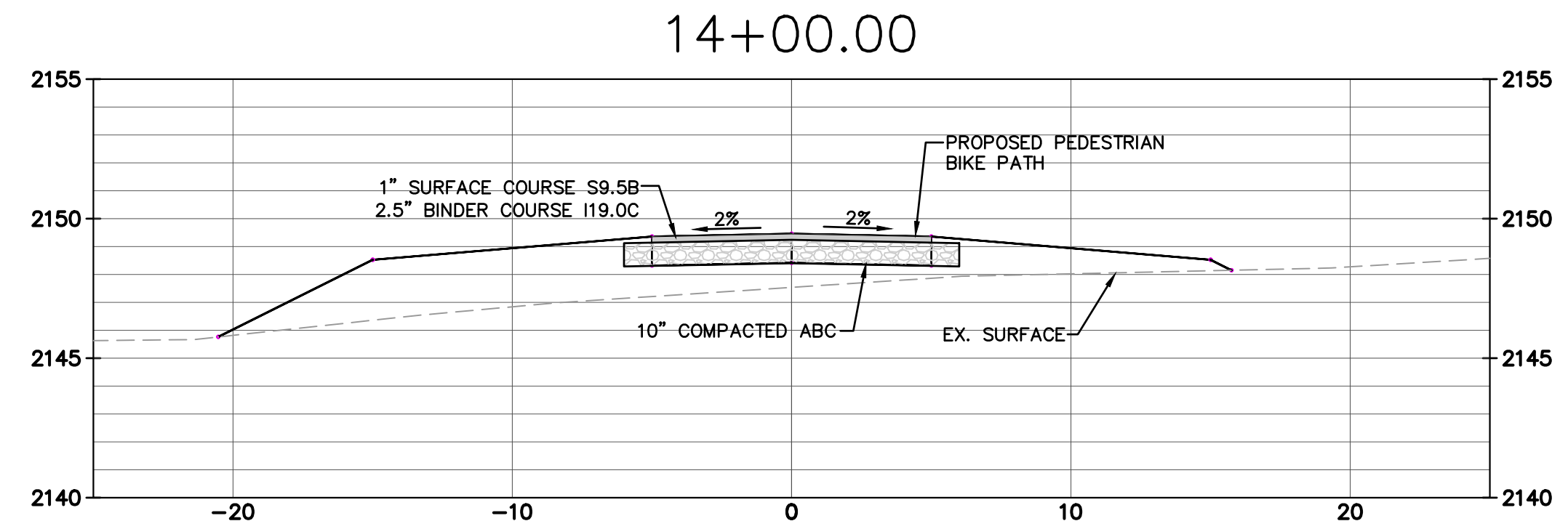
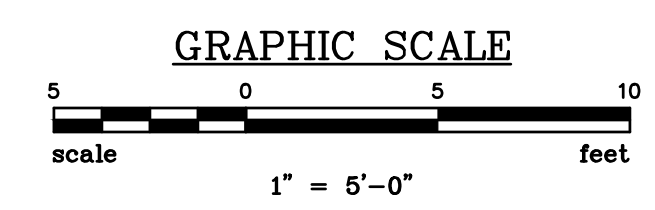


THIS DRAWING IS THE PROPERTY OF SUMMIT ENGINEERING GROUP, INC. AND IS NOT TO BE REPRODUCED OR TRANSMITTED IN ANY FORM OR BY ANY MEANS, ELECTRONIC OR MECHANICAL, INCLUDING PHOTOCOPYING, RECORDING, OR BY ANY INFORMATION STORAGE AND RETRIEVAL SYSTEM, WITHOUT THE WRITTEN PERMISSION OF SUMMIT ENGINEERING GROUP, INC. AND IS NOT TO BE USED ON ANY OTHER PROJECT AND SITE SPECIFICALLY IDENTIFIED HEREIN AND IS NOT TO BE USED ON ANY OTHER PROJECT.

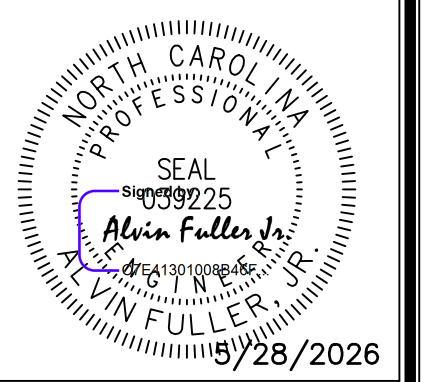


CROSS-SECTIONS
STA. 14+00 - STA. 18+50
SCALE: 1" = 5'-0" (H)
1" = 5'-0" (V)



REVISIONS	
NO.	DESCRIPTION
1	REVISED BASED ON 1/14/25 MFC
2	REVISED BASED ON 1/22/24 MFC
3	INDOT REVIEW

APPROVALS	
PROJECT ENG.	DATE
AF	
DESIGNED BY:	CHECKED BY:
AF	JDK
DRAWN BY:	APPROVED:
JDK	MFC
	AF



SUMMIT ENGINEERING GROUP INC.
ENGINEERS • PLANNERS • SURVEYORS
9601 Warren H. Abernathy Hwy.
Spartanburg, SC 29301
(864)949-1111

SHEET TITLE
CROSS-SECTIONS
STA. 14+00 - STA. 18+50
DATE: DEC. 2023 SCALE: AS SHOWN

PROJECT
ESTATOE TRAIL PHASE III
(TANNERY PROPERTY)
FOR THE
CITY OF BREVARD, NC
TRANSYLVANIA COUNTY NORTH CAROLINA

N.B. NO.
REF.
PROJECT NO.
22017
SHEET
13
OF

FILE: 22017_Base

N:\PROJECTS\22017_BREVARD - BIKE PATH\DWG\22017-BASE_TANNERY_INDOT.DWG, 5/28/2026, 9:35:18 AM